



BOWMAN®



Dispensers

Organize • Contain • Comply®

2020 e-Brochure

Semi-Recessed Dispensers Construction & Renovation



P P E D I S P E N S I N G S O L U T I O N S F O R E V E R Y M A R K E T

adaptable

TO ANY SETTING



Food Service



Business



Laboratory



Industrial



Healthcare



Dental



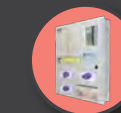
Construction



Education

All consumable items are for demonstration purposes only and are not available for purchase through BOWMAN®

find your solution



Protection Systems.....6



Glove Box Dispensers.....10



Hand Hygiene Dispensers 11



PPE Dispensing Options 12



Build A Room 14



Index.....15

BowmanDispensers.com | 800.962.4660

catalog legend

Our goal is to make your life easier. You'll find just what you're looking for in a breeze with our easy to spot colorful icons throughout the catalog.

Look for Key Feature Icons

Key feature icons let you know about special product features that can help you choose the best product to fit your needs.



Online Tools & Product Videos



cross references

See if your box fits in our dispenser: BowmanDispensers.com/Product-Cross-Reference-Information



build a room

Plan and arrange dispensers using a photograph of your space: BuildARoomByBowman.com



product videos

Learn more and watch demonstration videos: BowmanDispensers.com/Product-Videos

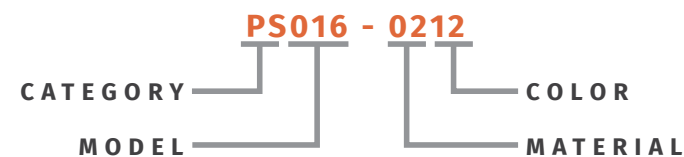
- (ABS)** ABS Plastic 02
- (AFP)** ABS Fauxwood Plastic 02
- (ALM)** Aluminum 05
- (CRS)** Cold Rolled Steel 04
- (PET)** PETG Plastic 01

- (PLC)** Polycarbonate Plastic 12
- (STP)** Sintra® Plastic 07
- (STS)** Stainless Steel 03
- (WIR)** Powder-Coated Wire 06

material

- (Bay Gray 29)**
- (Black 20)**
- (Cherry 33)**
- (Maple 23)**
- (Stainless Steel 00)**
- (Clear 11)**
- (Frosted Clear 14)**
- (Quartz Beige 12)**
- (White 13, 34)**

color



Example: **PS016-0212**
Protection System, Model 016, ABS, Quartz Beige

product number

Visit our website for extended material and color information. Colors may vary. Not all colors or materials are available for all dispensers. Use the material codes shown in this catalog as a reference for what a particular dispenser is made from. Custom options are also available.

why buy BOWMAN

BOWMAN Dispensers are proudly made in Arlington, Washington, USA

BowmanDispensers.com | 800.962.4660

- Quality materials and fabrication
- End user design collaboration
- Unique solution driven designs
- Good, better, and best cost options
- Organization that improves compliance
- Easy purchasing process
- Custom design abilities
- Family owned and operated



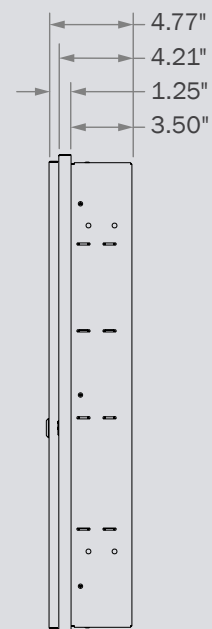
organize • contain • comply

ADA compliant

EXCLUSIVELY
BOWMAN



PATENT: www.BowmanDispensers.com/patents



Center Side View Installation Specs for All Semi-Recessed Units

- 4.77" - Overall depth to face of door
- 4.21" - Overall depth to front of frame
- 1.25" - Depth of installed wall protrusion
- 3.50" - Semi-Recessed depth

Measurements shown are overall external dimensions. For complete details on measurements and specifications, download product datasheets at BowmanDispensers.com

Semi-Recessed Protection Systems are a smart choice for high traffic areas, such as hallways or near elevators. Our in-wall solutions avoid wall protrusion rule concerns while keeping necessities organized and at hand.

FEATURING:

- ADA compliance benefit; once installed protrusion is approximately 1 ¼"
- Simplifies supply location standardization
- Visible access to supplies improves PPE donning compliance and restocking
- Universally sized to hold most major brands of PPE consumables
- Improves HCAHPS scores with a sleek, organized, and aesthetically pleasing design
- One in-wall well, adjustable shelves, and interchangeable doors
- Additional layouts and custom designs available
- Made in the USA out of Quartz Beige Powder-Coated Steel



semi-recessed video:
[BowmanDispensers.com/
Product-Videos](http://BowmanDispensers.com/Product-Videos)



BACKED BY OUR
15 YEAR
WARRANTY



Protection Systems



RE101-0012 ^{CRS}
PPE Dispensing System
24.36"W x 27.65"H x 4.77"D
Pg 6: Partial Open View

All consumable items are for demonstration purposes only and are not available for purchase through BOWMAN®.

ADDITIONAL
recessed
SOLUTIONS

PATENT: www.BowmanDispensers.com/patents



Space Conscious

Renovating an existing area with space constraints? BOWMAN has a narrow solution.



RE501-0012 CRS

PPE Dispensing System
Space Saver
18.77"W
34.66"H
4.77"D



RE502-0012 CRS

PPE Dispensing System
Space Saver
18.77"W
34.66"H
4.77"D



Large Capacity Gown

Save on restocking time with the double gown option.



RE201-0012 CRS

PPE Dispensing System - Double Gown
27.38"W x 33.33"H x 4.77"D
Shown with optional
MP-047 sign holder

Covered Supplies

Keep supplies out of sight.



RE103-0012 CRS

PPE Dispensing System - Solid Door
24.36"W x 27.65"H x 4.77"D

Eco-Friendly

Reusable gown storage is an environmentally friendly and cost effective solution.



RE201-0012 CRS

PPE Dispensing System
Double Gown
27.38"W
33.33"H
4.77"D



RE202-0012 CRS

PPE Dispensing System
Reusable Gown
27.38"W
33.33"H
4.77"D
Shown with optional
MP-047 sign holder



Don't see what you need? Custom designs are available, contact: sales@BowmanDispensers.com



PATENT: www.BowmanDispensers.com/patents

protect

YOUR PATIENTS,
YOURSELF
& YOUR FAMILY



PERFECT FIT

universal appeal

FEATURING:

- One in-wall well with adjustable shelving
- Keyless, quarter-turn lock to secure door
- Optional glove size indicator
- Innovative and aesthetically pleasing design

Glove Box Dispensers



RE301-0012 (CRS)
Triple
12.34"W x 18.83"H x 4.77"D



RE404-0012 (CRS)
Quad
12.34"W x 24.48"H x 4.77"D

RE304-0012 (CRS)

Hand Sanitizer Station
12.35"W x 18.85"H x 4.22"D

- Universal Wall well for housing hand sanitizer dispensers
- Embossed drip tray designed to contain over dispensing
- Accommodates most front loading hand sanitizer manufacturers dispensers (required dispensing clearance) less than: 11.30"W x 17.94"H x 5.00"D



SN304-0713 (STP)

Sign - Hand Sanitizer Station
6.30"W x 6.00"H x 3.71"D

- Optional 3D sign
- "V" shape projects 45° from wall allowing for easy visualization from front and sides.

semi-recessed video:
BowmanDispensers.com/
Product-Videos

Hygiene Dispensers



RE401-0012 (CRS)
Face Mask & Glove
Box Dispenser
12.34"W x 24.48"H x 4.77"D



RE302-0012 (CRS)
Face Mask & Tissue
Dispenser
12.34"W x 18.83"H x 4.77"D

All consumable items are for demonstration purposes only and are not available for purchase through BOWMAN®

Success is in the details

Integrate PPE Dispensing Solutions into the project planning phase to save space, improve aesthetics and reduce code violations.



value adds FOR EVERY PROJECT

- Semi-recessed, interior cabinet, custom & stock PPE dispensing solutions
- Material options for any budget
- Finish options for any interior
- All products offer best functionality and quality aesthetics
- Strong materials withstand heavy use & hospital grade cleaning products

Get started today: 800.962.4660



free planning tools:
Find our Audit Tool and Hospital Dispenser Planning Checklist and more at BowmanDispensers.com



build a room:
Plan and arrange dispensers using a photograph of your space: see page 14



learn more:
BowmanDispensers.com/Product-Videos

Semi-Recessed Solutions BEAUTIFULLY COMPLIANT

- Keeps high traffic areas clear & avoids wall protrusion rules
- Variety of layout options for glove dispensing, flu prep, & protection systems
- Available through the BOWMAN Custom Design Program



RE101-0012 (CRS)
PPE Dispensing System
Standard
24.36"W x 27.65"H x 4.77"D

Interior Cabinet Dispensing BUILT-IN ESSENTIALS

- Frees up space on countertops and walls with a polished look
- Available for select stock dispensers & any custom designed products



GB-144 (CRS)
Glove Box Dispenser - Single
Unmounted View



GL300-1214 (PLC)
Glove Box Dispenser - Triple with Dividers
Left: Side view
Right: Inside dental office cabinet



Ready-to-Install Stock Designs EASY OPTIONS

- A variety of colors and materials
- Expedited shipping available for quick turn-around projects
- Some of our best sellers are shown below; browse through the catalog to see a large variety of options



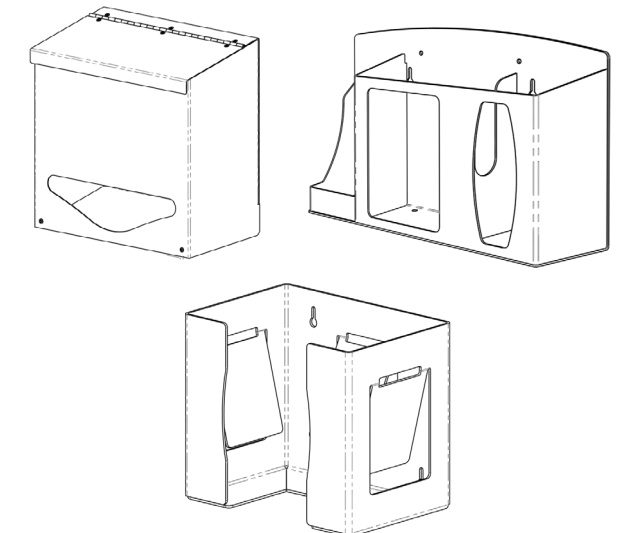
NC012-0412 (CRS) **new**
Bedpan/Urinal
Dispenser



GL030-0223 (AFP)
Glove Box Dispenser
Triple with Dividers

Custom Designs UNIQUE LOCATION SOLUTIONS

- If you can dream it, we can do it
- Minimum order quantities may apply



bring your vision to life

Build A Room shows you the end result in just a few clicks with a camera and a mouse. Create, save and output an image of your ideal room, like the one shown at right.



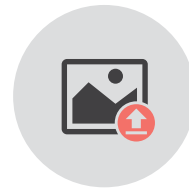
Create your ideal working environment in just a few easy steps at BuildARoomByBowman.com:



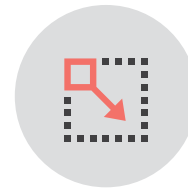
Choose the consumable(s) and room(s) that need organization.



Tape an 8 1/2" x 11" piece of paper to the wall and take a photo straight on of the room.



Select your dispenser category in Build A Room and upload your photo.



Arrange the yellow square to fill your paper in the photo.



Drag and drop dispensers into your space.



Save your design then print or send your layout to your planning team.

Part Number	Product Name	Page	Unit	W (L)	H	D	Product Weight	
GB-144	Glove Box Dispenser - Single with Flexible Spring - Cabinet Mount - White Powder-Coated Steel	12	IN	5.60	10.00	3.80	LB	1.4
			CM	14.2	25.4	9.7	KG	0.6
GL030-0223	Glove Box Dispenser - Triple with Dividers - Maple Fauxwood ABS Plastic	13	IN	17.00	10.13	4.00	LB	1.4
			CM	43.2	25.7	10.2	KG	0.6
GL300-1214	Glove Box Dispenser - Triple with Dividers - Semi-Transparent Polycarbonate Plastic	12	IN	17.08	10.12	4.22	LB	1.4
			CM	43.4	25.7	10.7	KG	0.6
MP-047	Sign Holder - Clip-On - Clear PETG Plastic	8, 9	IN	8.50	11.16	0.55	LB	0.8
			CM	21.6	28.3	1.3	KG	0.3
NC012-0412	Bedpan/Urinal Dispenser - Quartz Beige Powder-Coated Steel	13	IN	12.33	12.00	4.14	LB	3.6
			CM	31.3	30.5	10.5	KG	1.6
RE101-0012	Semi-Recessed PPE Dispensing System - Standard - Quartz Beige Powder-Coated Steel	7, 12	IN	24.36	27.65	4.77	LB	22.4
			CM	61.9	70.2	12.1	KG	10.1
RE103-0012	Semi-Recessed PPE Dispensing System - Solid Door - Quartz Beige Powder-Coated Steel	8	IN	24.36	27.65	4.77	LB	25.1
			CM	61.9	70.2	12.1	KG	11.4
RE201-0012	Semi-Recessed PPE Dispensing System - Double Gown - Quartz Beige Powder-Coated Steel	8, 9	IN	27.38	33.33	4.77	LB	30.2
			CM	69.5	84.7	12.1	KG	13.7
RE202-0012	Semi-Recessed PPE Dispensing System - Launderable Gown - Quartz Beige Powder-Coated Steel	9	IN	27.38	33.33	4.77	LB	30.2
			CM	69.5	84.7	12.1	KG	13.7
RE301-0012	Semi-Recessed Glove Box Dispenser - Triple - Quartz Beige Powder-Coated Steel	10	IN	12.34	18.83	4.77	LB	9.4
			CM	31.3	47.8	12.1	KG	4.2
RE302-0012	Semi-Recessed Face Mask & Tissue Dispenser - Quartz Beige Powder-Coated Steel	11	IN	12.34	18.83	4.77	LB	9.4
			CM	31.3	47.8	12.1	KG	4.2
RE304-0012	Semi-Recessed Hand Sanitizer Dispenser - Quartz Beige Powder-Coated Steel	11	IN	12.35	18.85	4.22	LB	7.4
			CM	31.4	47.9	10.7	KG	3.4
RE401-0012	Semi-Recessed Face Mask & Glove Dispenser - Quartz Beige Powder-Coated Steel	11	IN	12.34	24.48	4.77	LB	11.8
			CM	31.3	62.2	12.1	KG	5.3
RE404-0012	Semi-Recessed Glove Box Dispenser - Quad - Quartz Beige Powder-Coated Steel	10	IN	12.34	24.48	4.77	LB	11.8
			CM	31.3	62.2	12.2	KG	5.3
RE501-0012	Semi-Recessed PPE Dispensing System - Space Saver - Quartz Beige Powder-Coated Steel	9	IN	18.77	34.66	4.77	LB	24.9
			CM	47.7	88.0	12.1	KG	11.3
RE502-0012	Semi-Recessed PPE Dispensing System - Space Saver - Quartz Beige Powder-Coated Steel	9	IN	18.77	34.66	4.77	LB	24.9
			CM	47.7	88.0	12.1	KG	11.3
SN304-0713	Sign - Hand Sanitizer Station - White Sintra® Plastic	11	IN	6.30	6.00	3.71	LB	0.1
			CM	16.0	15.2	9.4	KG	0.05

All dimensions listed are assembled parts.

Ask your distributor for BOWMAN products.

BOWMAN Dispensers is a specialized design and development business creating personal protective equipment (PPE) dispensing solutions. Once a healthcare dominated industry, PPE dispensing devices have expanded in application to most commercial markets such as industrial, food service, education and beyond. We are at the forefront of innovative dispenser design across all industries.

Since 1988, with customer collaboration, BOWMAN now offers over 200 unique items in our product line. As a privately held company, our owners are involved in the business every day. BOWMAN is proud to serve as your industry advocate, partnering with you to create safe, organized and efficient work environments.

easy

ORDERING

Ask your distributor for us by name.
Accept no imitations.
There's only one genuine BOWMAN.



order online:

Check out conveniently from
your phone, tablet or computer:

BowmanDispensers.com



order through your regular distributor:

Find a list of our distributors online:

**BowmanDispensers.com/
About-Us/Distributors**



order over the phone:

Give us a call with questions
or to place an order:

**toll free: 800.962.4660
fax: 360.435.5277**

